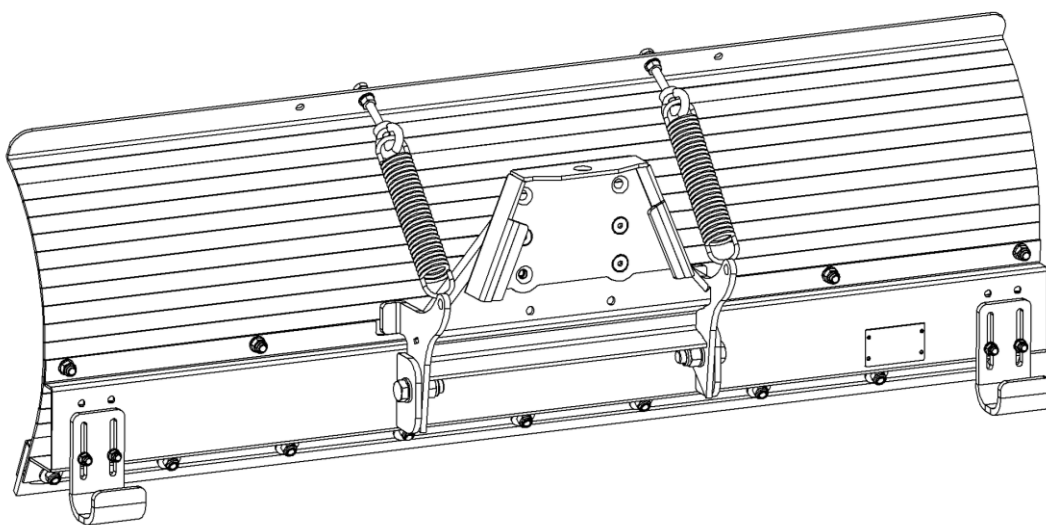




spare parts list

spring-loaded snow plow blade

SCHN 11045 FK - FKDR / quick release SCHN
12545 FK - FKDR / quick release SCHN 13545
FK - FKDR / quick release



Order number: E00016

from machine number: 65845

Rev.: R02

Status: 10.08.2020



Arealmaschinen GmbH

Empeler Straße 95

D - 46459 Rees

www.kersten-maschinen.de

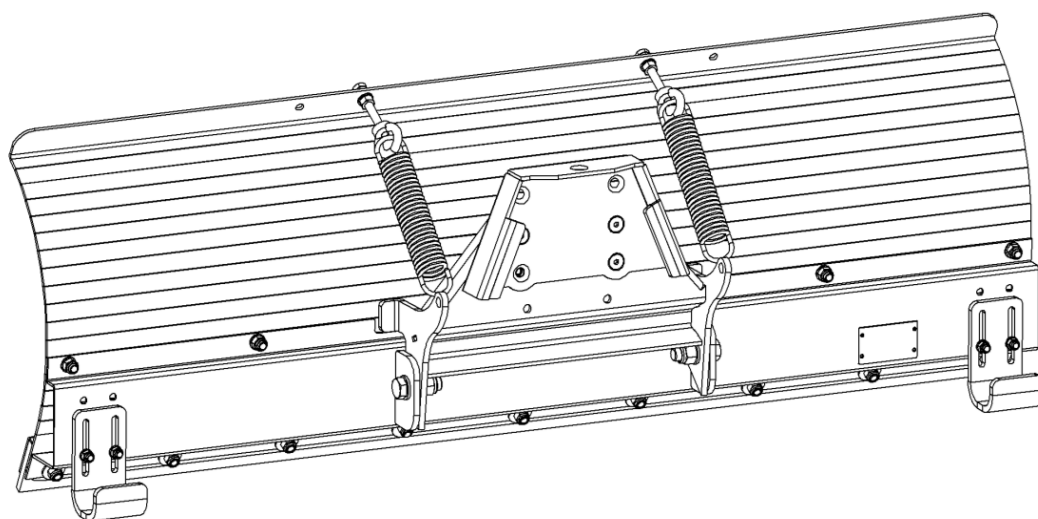
Tel.: +49 (0) 2851 / 9234 - 19

Fax: +49 (0) 2851 / 9234 - 24

Table of contents

1 Model overview	3
1.1 SCHN 11045 FK - FKDR - C03836 R00	3
1.2 SCHN 12545 FK - FKDR - C07578 R00	3
1.3 SCHN 13545 FK - FKDR - C03405 R00	3
1.4 SCHN 11045 FK - SQUICK RELEASE- C11849 R00.....	3
1.5 SCHN 12545 FK - SQUICK RELEASE- C11850 R00.....	3
1.6 SCHN 13545 FK - SQUICK RELEASE- C11851 R00.....	3
2 Assembly overview.....	4
2.1 KUPPELDREIECK FORSSNOW SHIELD-SPRING-CLAPPING- C03410 R00	4
2.2 SQUICK RELEASE FORSSNOW SHIELD-SPRING-CLAPPING- C11848 R00	5
2.3 SSNOW PLOW BLADE WITHSCURTAIN BAR ANDKUFEN.....	6
2.3.1 SCHN 11045 - C07576 R00	6
2.3.2 SCHN 12545 - C07577 R00	7
2.3.3 SCHN 13545 - C03407 R00	7

1 model overview



1.1 SCHN 11045 FK - FKDR - C03836 R00

No.	Art.-No.	No.	designation
1	C03410 R00	1	dome triangle for snow blade spring-folding
2	C07576 R00	1	Snow blade 110 cm with scraper bar and skids

1.2 SCHN 12545 FK - FKDR - C07578 R00

No.	Art.-No.	No.	designation
1	C03410 R00	1	dome triangle for snow blade spring-folding
2	C07577 R00	1	Snow blade 125 cm with scraper bar and skids

1.3 SCHN 13545 FK - FKDR - C03405 R00

No.	Art.-No.	No.	designation
1	C03410 R00	1	dome triangle for snow blade spring-folding
2	C03407 R00	1	Snow blade 135 cm with scraper bar and skids

1.4 SCHN 11045 FK - Quick release fastener - C11849 R00

No.	Art.-No.	No.	designation
1	C11848 R00	1	Quick release for spring-loaded snow blade
2	C07576 R00	1	Snow blade 110 cm with scraper bar and skids

1.5 SCHN 12545 FK - Quick release fastener - C11850 R00

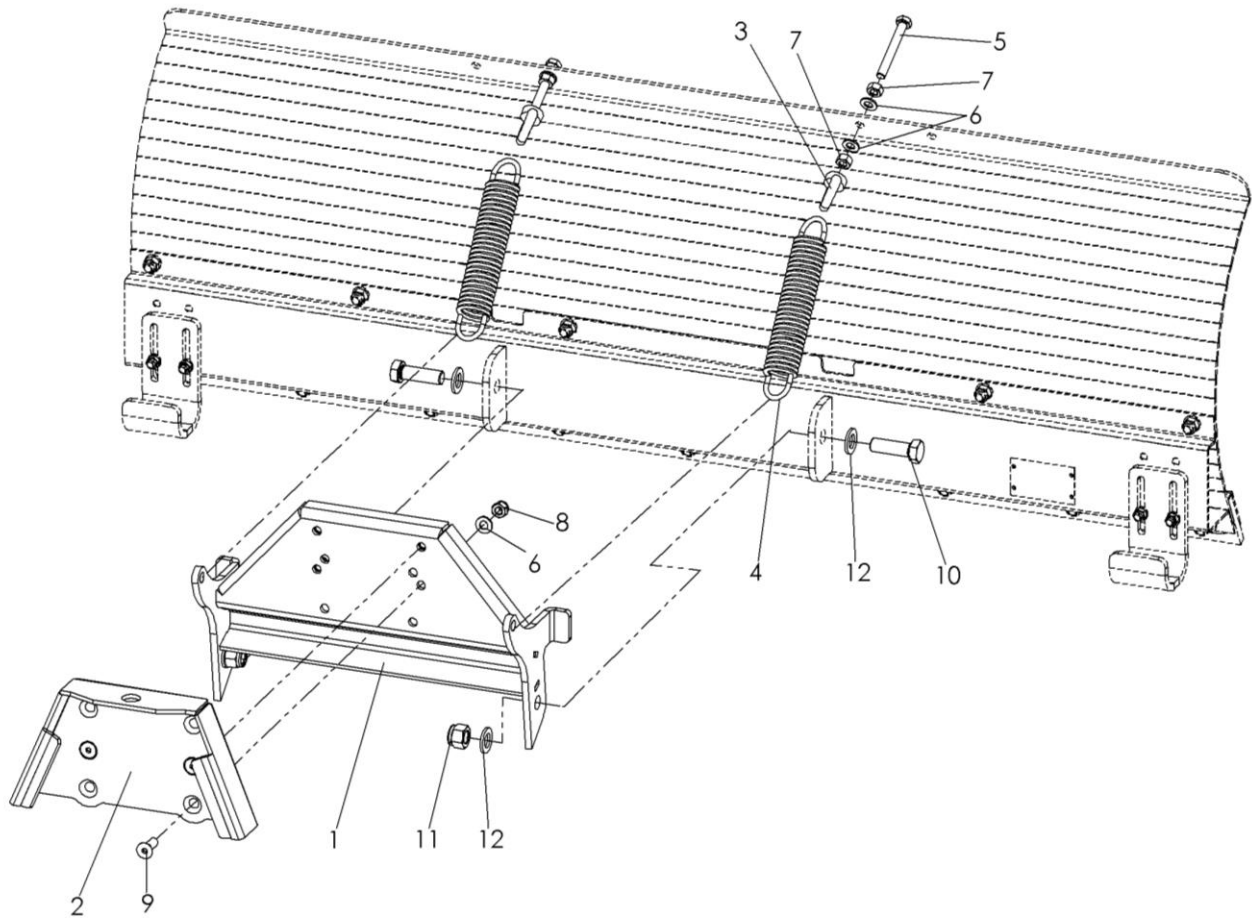
No.	Art.-No.	No.	designation
1	C11848 R00	1	Quick release for spring-loaded snow blade
2	C07577 R00	1	Snow blade 125 cm with scraper bar and skids

1.6 SCHN 13545 FK - Quick release - C11851 R00

No.	Art.-No.	No.	designation
1	C11848 R00	1	Quick release for spring-loaded snow blade
2	C03407 R00	1	Snow blade 135 cm with scraper bar and skids

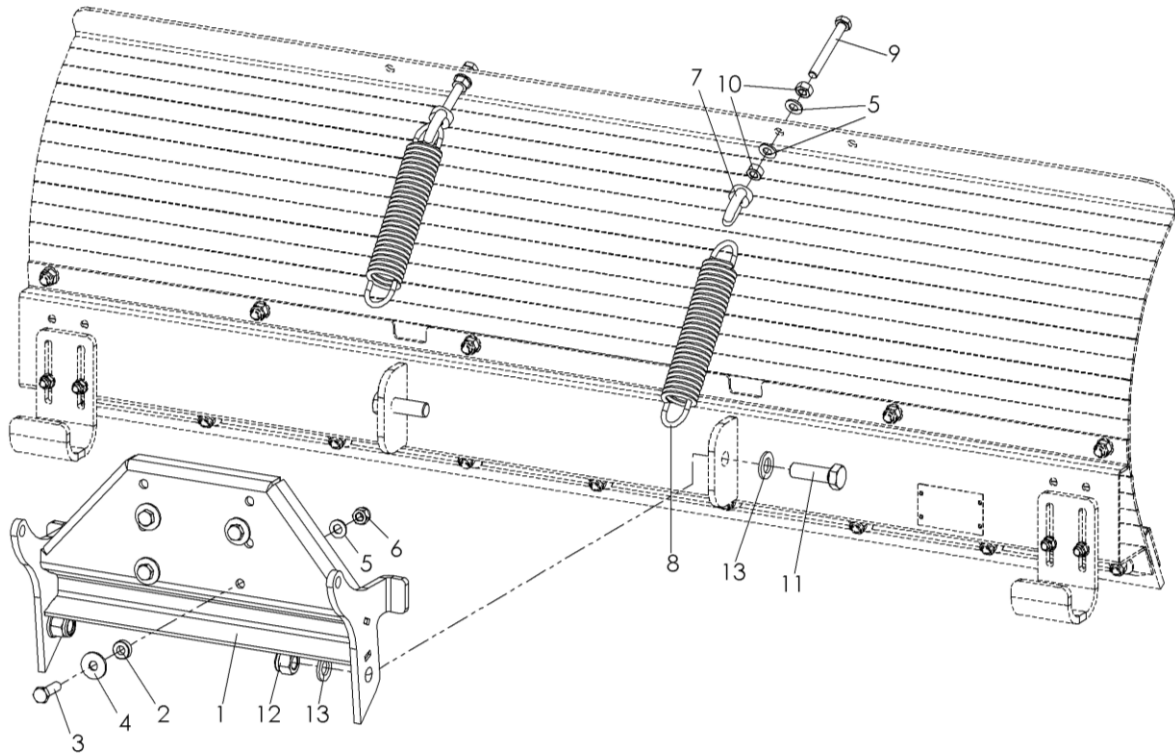
2 Assembly overview

2.1 Coupling triangle for snow blade - spring-loaded - C03410 R00



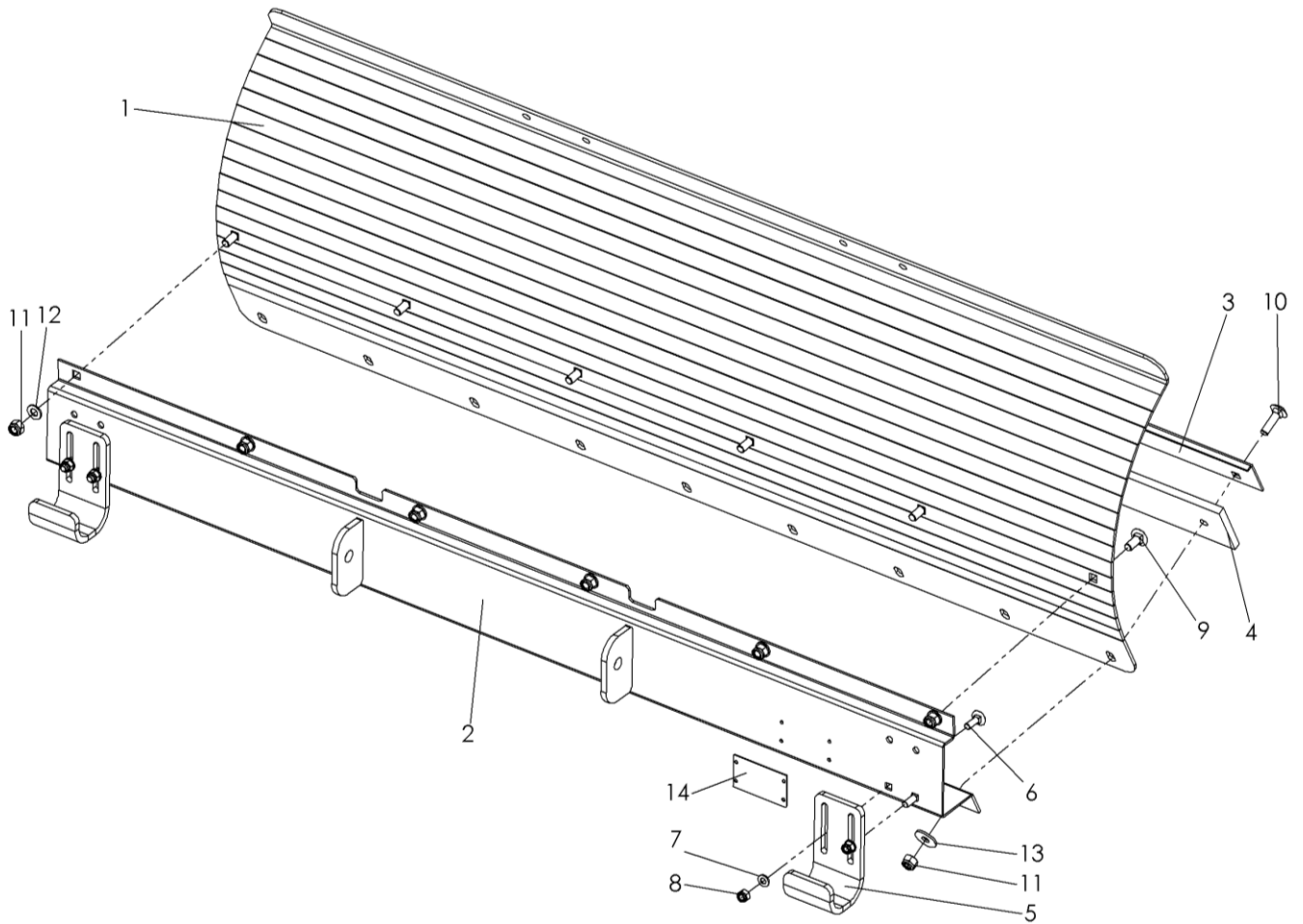
No.	Art.-No.	No.	designation
1	C01870	1	intermediate frame snow blade
2	050 427 010	1	dome triangle machine side
3	900 010 017	2	ring nut
4	909 202 841	2	tension spring
5	901 110 080	2	hexagon screw with shaft
6	905,110,000	8	U-disk
7	900 010 001	4	Skt.-Mutter
8	900 010 002	4	lock nut
9	901 210 030	4	Countersunk head screw with hexagon socket
10	901 016 050	2	hexagon screw without shaft
11	900 016 002	2	lock nut
12	905,116,000	4	U-disk

2.2 Quick release for snow blade - spring-loaded - C11848 R00



No.	Art.-No.	No.	Designation 1
1	C01870	1	intermediate frame snow blade
2	705 200 507	4	socket
3	901 010 035	4	hexagon screw without shaft
4	905,210,000	4	K-disk
5	905,110,000	8	U-disk
6	900 010 002	4	lock nut
7	900 010 017	2	ring nut
8	909 202 841	2	tension spring
9	901 110 080	2	hexagon screw with shaft
10	900 010 001	4	Skt.-Mutter
11	901 016 050	2	hexagon screw without shaft
12	900 016 002	2	lock nut
13	905,116,000	4	U-disk

2.3 Snow plow blade with scraper bar and skids



2.3.1 SCHN 11045 - C07576 R00

No.	Art.-No.	No.	designation
1	C03835	1	snow blade
2	C0 3837	1	Reinforcement rail complete
3	800 110 105	1	mounting rail
4	800 110 106	1	Robalon-S scraper bar
5	800 343 110	2	skid
6	901 908 025	4	carriage bolt
7	905,108,000	4	U-disk
8	900 008 002	4	lock nut
9	901 910 025	6	carriage bolt
10	901 910 035	9	carriage bolt
11	900 010 002	15	lock nut
12	905,110,000	6	U-disk
13	905,210,000	9	K-disk
14	upon request	1	nameplate

2.3.2 SCHN 12545 - C07577 R00

No.	Art.-No.	No.	designation
1	C01858	1	snow blade
2	C01873	1	Reinforcement rail complete
3	800 126 105	1	mounting rail
4	800 126 106	1	Robalon-S scraper bar
5	800 343 110	2	skid
6	901 908 025	4	carriage bolt
7	905,108,000	4	U-disk
8	900 008 002	4	lock nut
9	901 910 025	6	carriage bolt
10	901 910 035	9	carriage bolt
11	900 010 002	15	lock nut
12	905,110,000	6	U-disk
13	905,210,000	9	K-disk
14	upon request	1	nameplate

2.3.3 SCHN 13545 - C03407 R00

No.	Art.-No.	No.	designation
1	C03200	1	snow blade
2	C03378	1	reinforcement rail
3	800 135 105	1	mounting rail
4	800 135 106	1	Robalon-S scraper bar
5	800 343 110	2	skid
6	901 908 020	4	carriage bolt
7	905,108,000	4	U-disk
8	900 008 002	4	lock nut
9	901 910 025	6	carriage bolt
10	901 910 035	9	carriage bolt
11	900 010 002	15	lock nut
12	905,110,000	6	U-disk
13	905,210,000	9	K-disk
14	upon request	1	nameplate